

(C) Embedded Systems Academy, Inc. 2021



Sheet: /
File: CANopenIA-M0-EvalBoard.sch

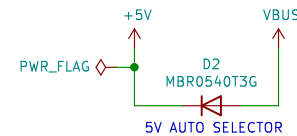
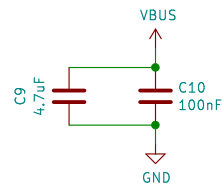
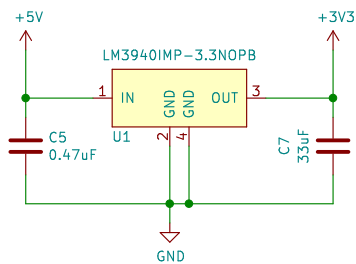
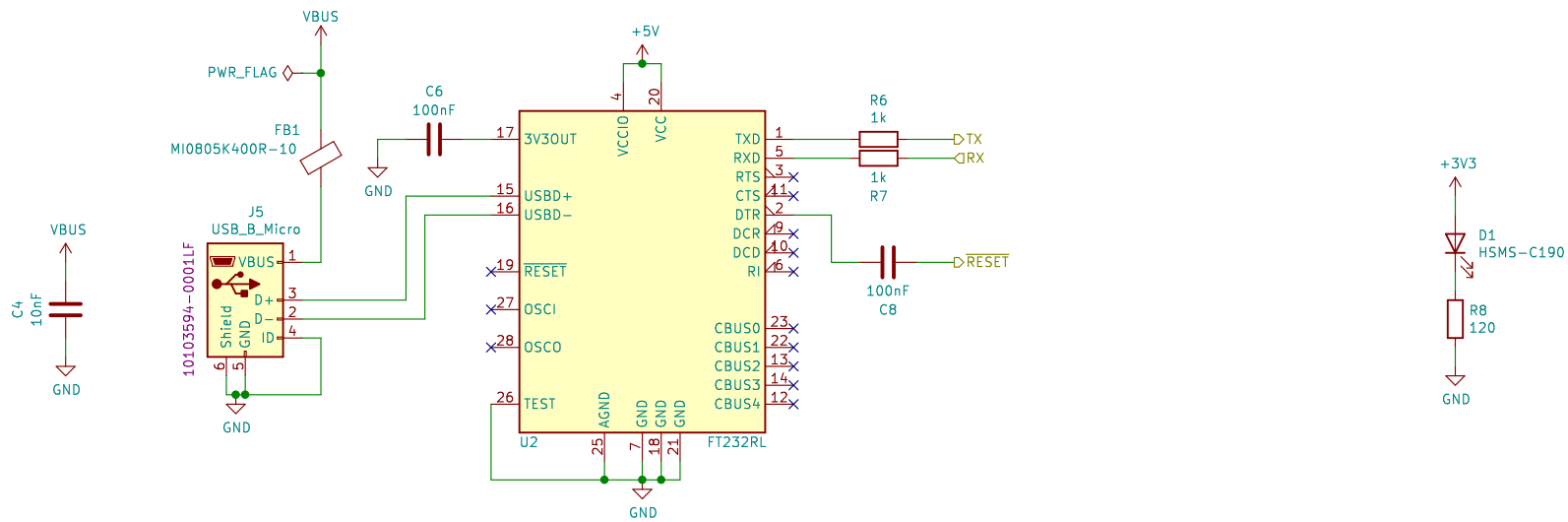
Title: CANopenIA-M0 Eval Board

Size: A4 Date: 2021-05-07

Rev: 2.1

KiCad E.D.A. kicad (5.1.6)-1

Id: 1/4



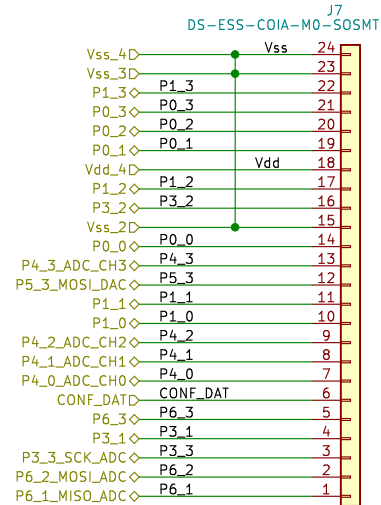
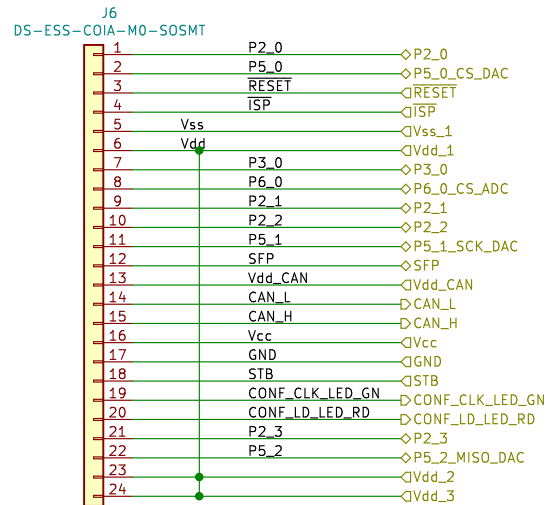
(C) Embedded Systems Academy, Inc. 2021

Sheet: /USB and Power/
File: USBandPower.sch

Title: CANopenIA-M0 Eval Board

Size: A4 Date: 2021-05-07
KiCad E.D.A. kicad (5.1.6)-1

Rev: 2.1
Id: 2/4



Lay out the same as the module.
Draw box around this group 19.49mm x 31.45mm



(C) Embedded Systems Academy, Inc. 2021

Sheet: /COIA-M0-Module/
File: COIA-M0-Module.sch

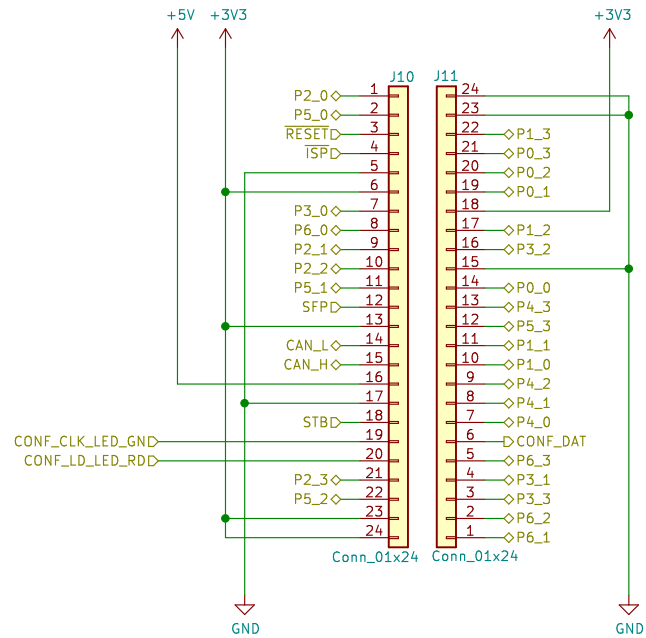
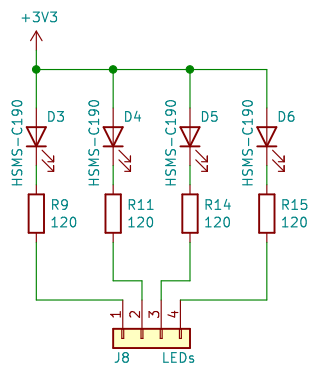
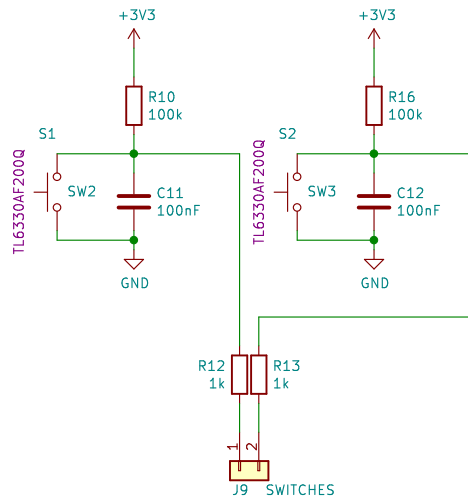
Title: CANopenA-M0 Eval Board

Size: A4 Date: 2021-05-07

KiCad E.D.A. kicad (5.1.6)-1

Rev: 2.1

Id: 3/4



(C) Embedded Systems Academy, Inc. 2021

Sheet: /10/

File: IO.sch

Title: CANopenIA-M0 Eval Board

Size: A4 Date: 2021-05-07

KiCad E.D.A. kicad (5.1.6)-1

Rev: 2.1

Id: 4/4